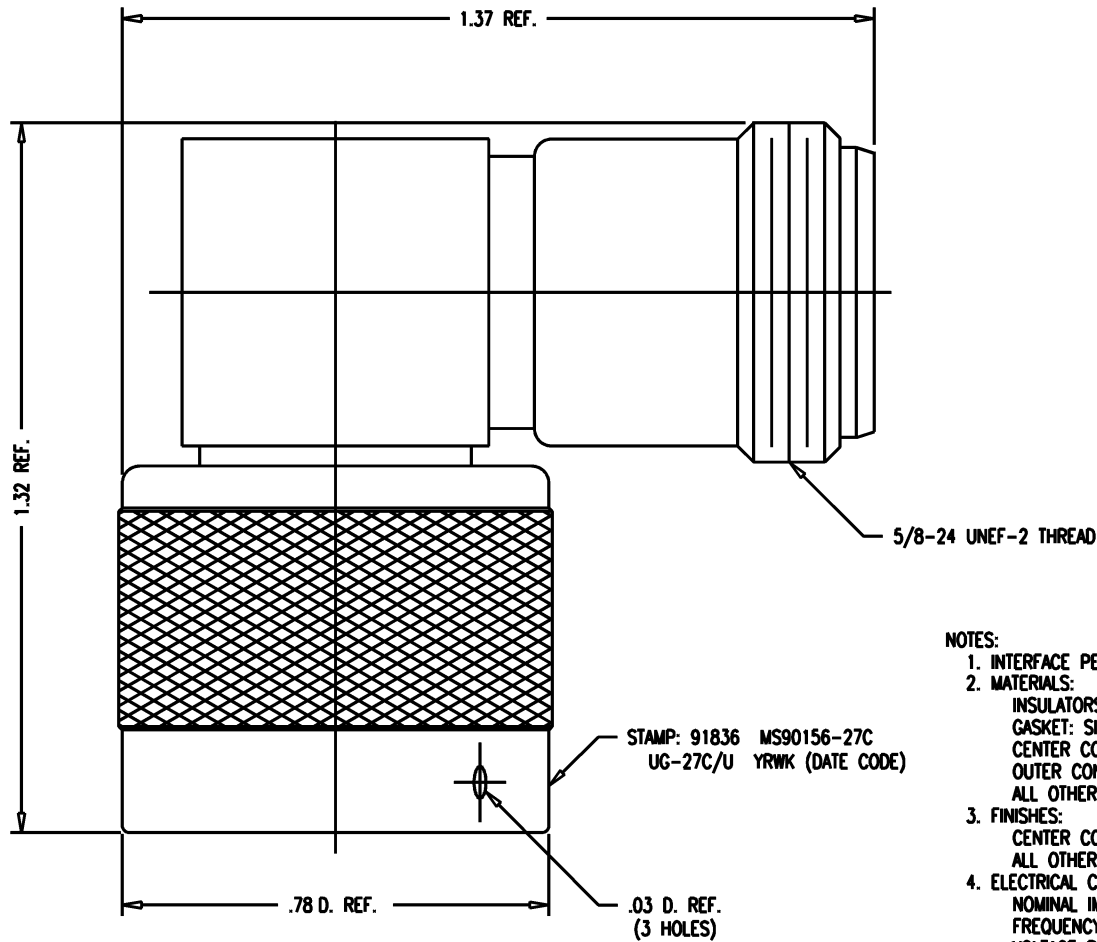


SD



- NOTES:
1. INTERFACE PER MIL-STD-348, FIG. 304-1 AND 304-2.
 2. MATERIALS:
INSULATORS: TEFLON, ASTM-D-4894
GASKET: SIL. RUBBER, ZZ-R-765
CENTER CONTACT: BER. COPPER, ASTM-B-196
OUTER CONTACT AND C-RING: PHOS. BRONZE, ASTM-B-103
ALL OTHER METAL PARTS: BRASS, ASTM-B16
 3. FINISHES:
CENTER CONTACT: SILVER PLATE PER QQ-S-365
ALL OTHER METAL PARTS: SILVER PLATE PER QQ-S-365
 4. ELECTRICAL CHARACTERISTICS
NOMINAL IMPEDANCE: 50 \sim W
FREQUENCY RANGE: DC TO 11 GHz
VOLTAGE RATING: 1000 VOLTS RMS

UG-27C/U

REVISIONS

ISSUE	CHANGES
8	CN 4081 A J.G. 03/30/66
9	CN 10615 A WLA 12/16/71
10	CN 17241 C JHP 05/05/77
11	CN 27408 D SD 09/25/85
12	CN 38111 C REDRAWN TML 10/24/00

UG27CU-SD

SCALE : 4:1	
APPROX SURFACE AREA	
KN-98-01	
USED ON	
REF: MS-90156 A	
ADAPTER, N, M-F	
DRAWN	J.G. DATE 03/30/66
DESIGN	DATE
APPR.	LI DATE 03/30/66

KINGS
ELECTRONICS CO., INC.
ROCK HILL, SOUTH CAROLINA 29730

UG-27C/U

SD